

G+W SURFACE BOX TYPE 3581

Synthetic surface box
Fixed height | Cast iron lid
Design according to DIN 3581

For gas and district heating valves
Standard lid inscription: GAS
Tarmac installation | Heat resistant up to 240 °C

- **FIXED HEIGHT**
 - CLASSIC
 - PAVEMENT
 - SPECIAL
- **HEIGHT ADJUSTABLE**
 - CLASSIC
 - SWISS MODEL
 - FUGENRING
- **ACCESSORIES**



DIN 3580 and DVGW VP310-2 tested and certified
Certificate number DG-4531BQ0161

Features and benefits

- Corrosion and maintenance free
- Used materials are recyclable
- Lid and surface box do not freeze together
- Various lid inscriptions on request
- Weight reduction compared to traditional materials

Optional

- Synthetic lid; available in various colours
- Lockable lid
- Bolt with spring

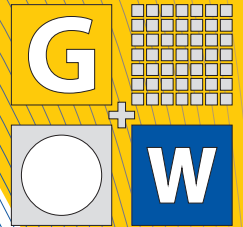
G+W GmbH
Industriestraße 4
74933 Neidenstein

Phone: +49(0)7263 919698
Fax: +49(0)7263 919697
E-Mail: info@gw-strassenkappen.de
Web: www.gw-strassenkappen.de

Bank:
Sparkasse Heidelberg
BLZ: 672 500 20
Kto-Nr.: 18 024 691

Ust-Id: DE 222587347 – HRB 341744
St.-Nr.: 44077/15546 FA Sinsheim





G+W SURFACE BOX TYPE 3581

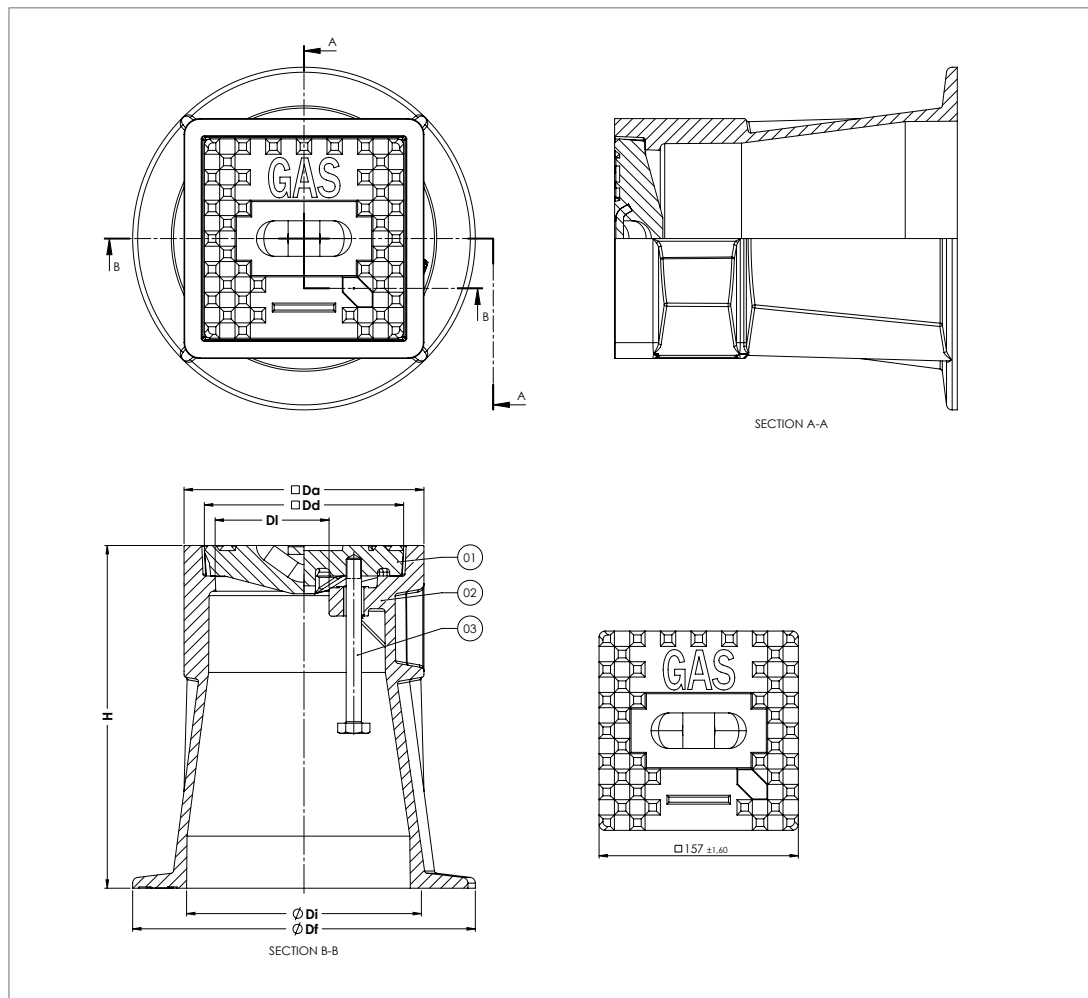
Component list

1. Lid	EN-GJL-250 (GG25)
2. Housing	P123
3. Hexagon head bolt M12	A2-70

Reference nos. and nominal dimensions

G+W ref. nos.	Da mm	Dd mm	DI mm	Di mm	Df mm	H mm
80-34-0900XXX	190	157	105	185	270	270
	Weight box in kg	Weight lid in kg	Total weight in kg			
	2.6	3.5	6.1			

The designs, materials and specifications shown are subject to change without notice due to the continuous development of our product programme.



G+W GmbH
Industriestraße 4
74933 Neidenstein

Phone: +49(0)7263 919698
Fax: +49(0)7263 919697
E-Mail: info@gw-strassenkappen.de
Web: www.gw-strassenkappen.de

Bank:
Sparkasse Heidelberg
BLZ: 672 500 20
Kto-Nr.: 18 024 691

Ust-Id: DE 222587347 – HRB 341744
St.-Nr.: 44077/15546 FA Sinsheim