

## G+W SURFACE BOX TYPE 4059V

Synthetic surface box  
Height adjustable | Cast iron lid  
Design derived from DIN 4059

For service connection valves  
Standard lid inscription: GAS  
Tarmac installation | Heat resistant up to 240 °C

- **FIXED HEIGHT**
  - CLASSIC
  - PAVEMENT
  - SPECIAL
- **HEIGHT ADJUSTABLE**
  - CLASSIC
  - SWISS MODEL
  - FUGENRING
- **ACCESSORIES**



DIN 3580 and DVGW VP310-2 tested

### Features and benefits

- Corrosion and maintenance free
- Used materials are recyclable
- Lid and surface box do not freeze together
- Various lid inscriptions on request
- Weight reduction compared to traditional materials
- Enables quick and precise installation
- Avoids extra labour and costs
- Patented height fixation

### Optional

- Lockable lid
- Bolt with spring

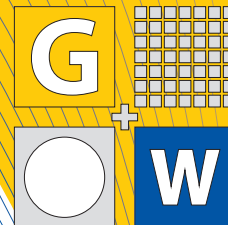
G+W GmbH  
Industriestraße 4  
74933 Neidenstein

Phone: +49(0)7263 919698  
Fax: +49(0)7263 919697  
E-Mail: [info@gw-strassenkappen.de](mailto:info@gw-strassenkappen.de)  
Web: [www.gw-strassenkappen.de](http://www.gw-strassenkappen.de)

Bank:  
Sparkasse Heidelberg  
BLZ: 672 500 20  
Kto-Nr.: 18 024 691

Ust-Id: DE 222587347 – HRB 341744  
St.-Nr.: 44077/15546 FA Sinsheim





# G+W SURFACE BOX TYPE 4059V

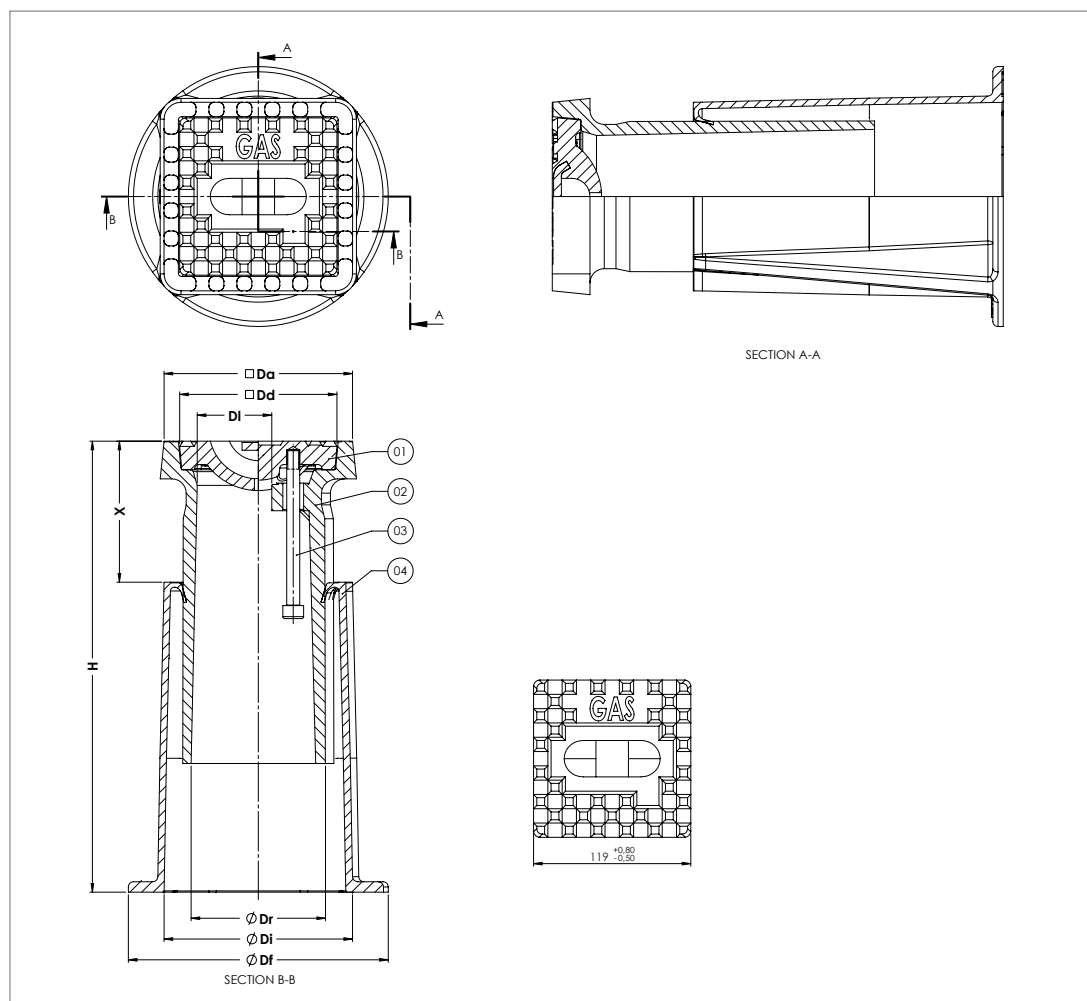
## Component list

- |                                 |                   |
|---------------------------------|-------------------|
| 1. Lid                          | EN-GJL-200 (GG20) |
| 2. Top part                     | P123              |
| 3. Hexagon socket head bolt M10 | A2-70             |
| 4. Bottom part                  | P123              |

## Reference nos. and nominal dimensions

G+W ref. nos.	Da mm	Dd mm	DI mm	Dr mm	Di mm	Df mm	X mm	H mm
80-33-1900XXX	145	119	68	103	145	200	110-210	345-445
	Weight box in kg	Weight lid in kg	Total weight in kg					
	1.8	1.9	3.7					

The designs, materials and specifications shown are subject to change without notice due to the continuous development of our product programme.



G+W GmbH  
Industriestraße 4  
74933 Neidenstein

Phone: +49(0)7263 919698  
Fax: +49(0)7263 919697  
E-Mail: [info@gw-strassenkappen.de](mailto:info@gw-strassenkappen.de)  
Web: [www.gw-strassenkappen.de](http://www.gw-strassenkappen.de)

Bank:  
Sparkasse Heidelberg  
BLZ: 672 500 20  
Kto-Nr.: 18 024 691

Ust-Id: DE 222587347 – HRB 341744  
St.-Nr.: 44077/15546 FA Sinsheim