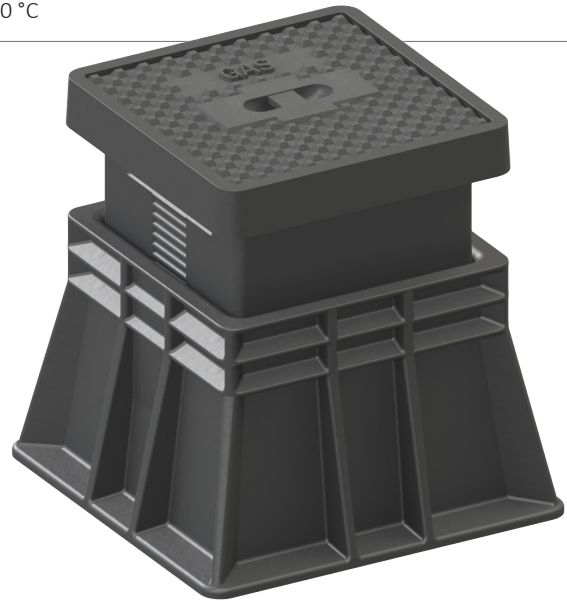


## G+W SURFACE BOX TYPE 3582V

Synthetic surface box  
Height adjustable | Cast iron lid  
Design according to DIN 3582

For gas and district heating valves  
Standard lid inscriptions: GAS, FERNGAS, FERNWÄRME  
Tarmac installation | Heat resistant up to 240 °C

- **FIXED HEIGHT**
  - CLASSIC
  - PAVEMENT
  - SPECIAL
- **HEIGHT ADJUSTABLE**
  - CLASSIC
  - SWISS MODEL
  - FUGENRING
- **ACCESSORIES**



DIN 3580 and DVGW VP310-2 tested

### Features and benefits

- Corrosion and maintenance free
- Used materials are recyclable
- Lid and surface box do not freeze together
- Various lid inscriptions on request
- Weight reduction compared to traditional materials
- Enables quick and precise installation
- Avoids extra labour and costs
- Patented height fixation

### Optional

- Lockable lid
- Bolt with spring

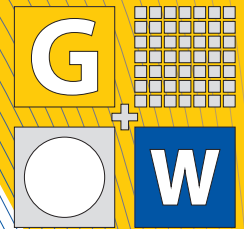
G+W GmbH  
Industriestraße 4  
74933 Neidenstein

Phone: +49(0)7263 919698  
Fax: +49(0)7263 919697  
E-Mail: [info@gw-strassenkappen.de](mailto:info@gw-strassenkappen.de)  
Web: [www.gw-strassenkappen.de](http://www.gw-strassenkappen.de)

Bank:  
Sparkasse Heidelberg  
BLZ: 672 500 20  
Kto-Nr.: 18 024 691

Ust-Id: DE 222587347 – HRB 341744  
St.-Nr.: 44077/15546 FA Sinsheim





# G+W SURFACE BOX TYPE 3582V

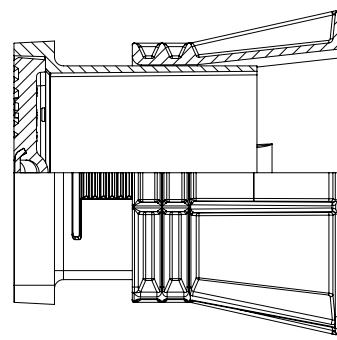
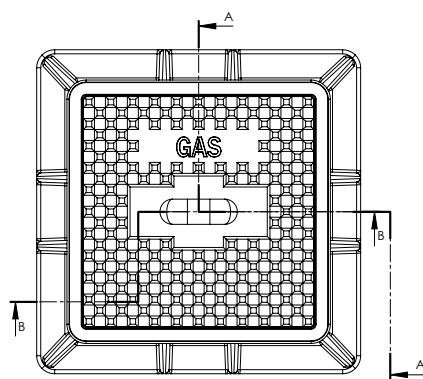
## Component list

- |                                 |                   |
|---------------------------------|-------------------|
| 1. Lid                          | EN-GJL-200 (GG20) |
| 2. Top part                     | P123              |
| 3. Bottom part                  | P123              |
| 4. Hexagon socket head bolt M12 | A2-70             |

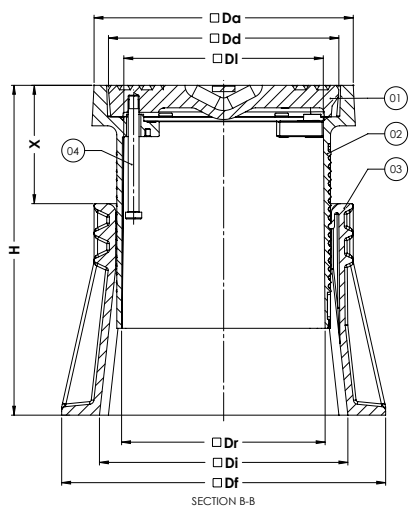
## Reference nos. and nominal dimensions

G+W ref. nos.	Da mm	Dd mm	DI mm	Dr mm	Di mm	Df mm	X mm	H mm
80-35-1900000	288	256	220	225	276	360	125-195	405-475
	Weight box in kg	Weight lid in kg	Total weight in kg					
	6.8	10.9	17.7					

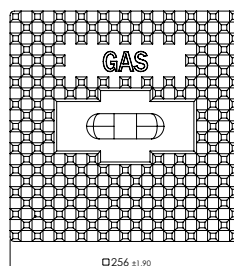
The designs, materials and specifications shown are subject to change without notice due to the continuous development of our product programme.



SECTION A-A



SECTION B-B



G+W GmbH  
Industriestraße 4  
74933 Neidenstein

Phone: +49(0)7263 919698  
Fax: +49(0)7263 919697  
E-Mail: [info@gw-strassenkappen.de](mailto:info@gw-strassenkappen.de)  
Web: [www.gw-strassenkappen.de](http://www.gw-strassenkappen.de)

Bank:  
Sparkasse Heidelberg  
BLZ: 672 500 20  
Kto-Nr.: 18 024 691

Ust-Id: DE 222587347 – HRB 341744  
St.-Nr.: 44077/15546 FA Sinsheim