

G+W SUPPORT TILE TYPE I 380

Support tile for surface boxes type 4056(V), 4057(V), 4059(V) and 3581(V)
Dimensions according to DIN 19720

■ FIXED HEIGHT

CLASSIC
PAVEMENT
SPECIAL

■ HEIGHT ADJUSTABLE

CLASSIC
SWISS MODEL
FUGENRING

■ ACCESSORIES



Features and benefits

- Increases stability
- Lightweight
- Universal model for multiple surface boxes

G+W GmbH
Industriestraße 4
74933 Neidenstein

Phone: +49(0)7263 919698
Fax: +49(0)7263 919697
E-Mail: info@gw-strassenkappen.de
Web: www.gw-strassenkappen.de

Bank:
Sparkasse Heidelberg
BLZ: 672 500 20
Kto-Nr.: 18 024 691

Ust-Id: DE 222587347 – HRB 341744
St.-Nr.: 44077/15546 FA Sinsheim





G+W SUPPORT TILE TYPE I 380

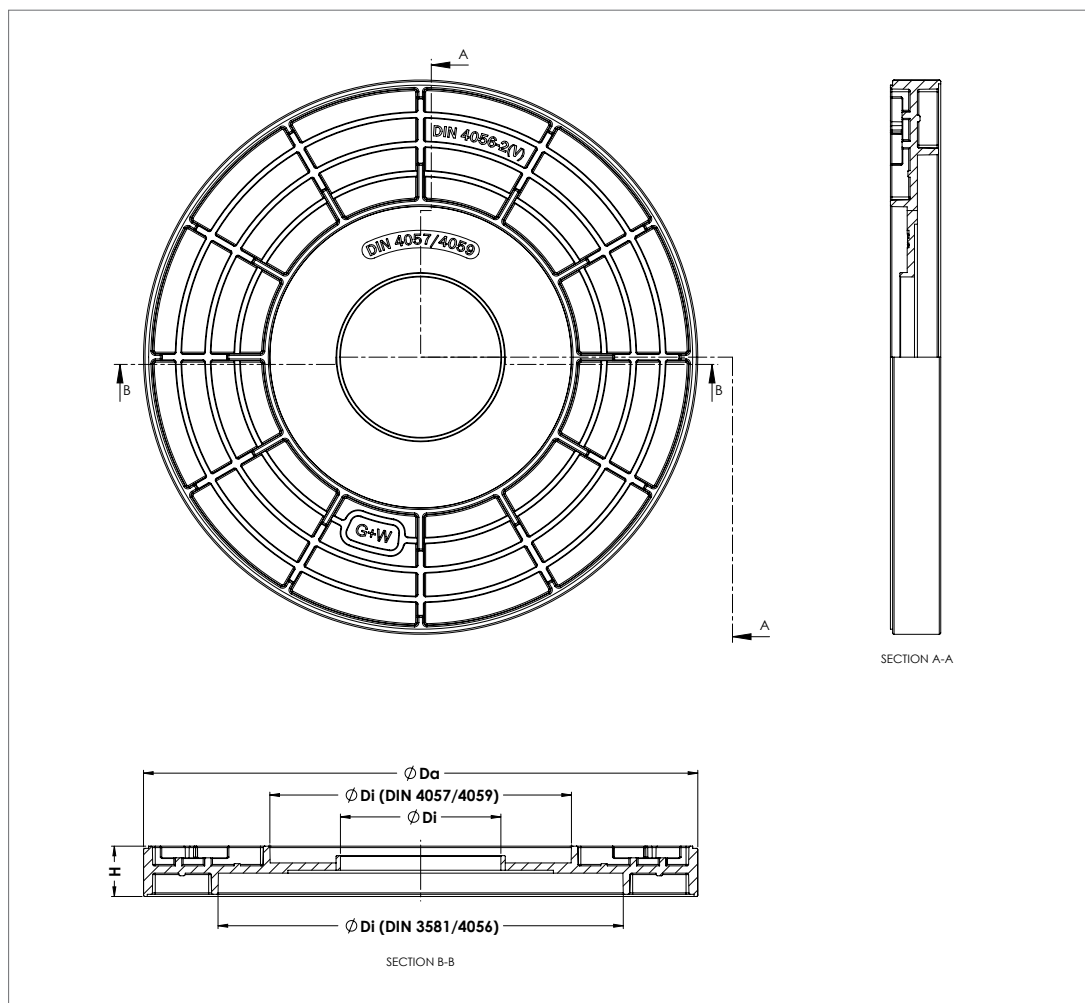
Component list

1. Support tile PE-HD

Reference nos. and nominal dimensions

G+W ref. nos.	Da mm	Di mm	Di (DIN4057/4059) mm	Di (DIN3581/4056) mm	H mm	Gewicht in kg
80-46-00016	380	110	206	278	35	0.7

The designs, materials and specifications shown are subject to change without notice due to the continuous development of our product programme.



G+W GmbH
Industriestraße 4
74933 Neidenstein

Phone: +49(0)7263 919698
Fax: +49(0)7263 919697
E-Mail: info@gw-strassenkappen.de
Web: www.gw-strassenkappen.de

Bank:
Sparkasse Heidelberg
BLZ: 672 500 20
Kto-Nr.: 18 024 691

Ust-Id: DE 222587347 – HRB 341744
St.-Nr.: 44077/15546 FA Sinsheim